

36N.H

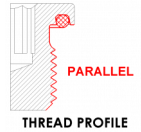
Magnetic drain plug with neodymium magnet and FKM OR for high temperature applications

BODY MATERIAL Lanthane zinc-plated Steel

(1) OR OR FLAT PACKING RING FKM

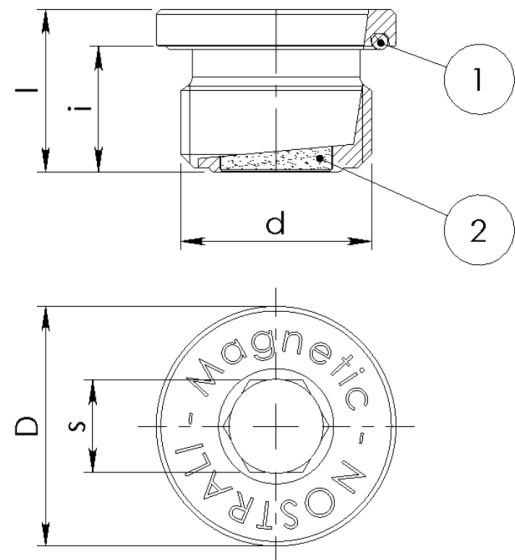
(2) PERMANENT MAGNET

RANGE TEMPERATURE -10 +120 [°C] ; +14 +248 [F]



DESCRIPTION

Magnetic drain plug with hexagon socket and OR, made of zinc plated steel. New version for high temperature applications with viton OR and special magnet. In this model the magnet is completely embedded in the body plug. The permanent magnet attracts and holds abrasive, ferrous metal particles preventing their circulation through the lubrication or hydraulic system. The magnetic "filter" plug is recommended for gearboxes and in any application with gears in bath of oil.



Article	d	i[mm]	D[mm]	s[mm]	l[mm]	p max[bar]	Cs max [Nm]	weight[g]
110600100	G1/8	7,7	14	5	10,7	250	8	6,2
110600101	G1/4	11,6	18	6	14,6	250	11	14
110600102	G 3/8	11,6	22	8	14,6	250	15	22
110600103	G 1/2	13,6	26	10	17,6	250	19	42
110600104	G 3/4	15,6	32	12	19,6	250	25	74
110600105	G 1	15,6	39	17	20,6	250	33	117
110600106	G 1 1/4	15,6	49	22	20,6	250	47	171
110600107	G 1 1/2	15,6	55	24	20,6	250	57	229
110600112	M14X1,5	11,2	19	6	14,7	250	12	15
110600113	M16X1,5	11,2	21	8	14,7	250	14	18,5
110600114	M18X1,5	11,6	23	8	15,6	250	16	29
110600115	M20X1,5	13,2	25	10	17,7	250	18	34
110600116	M22X1,5	13,2	27	10	17,7	250	20	47