

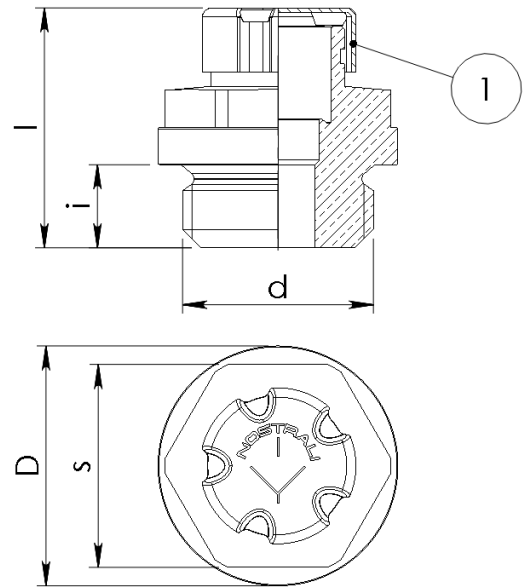
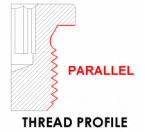
Sfiatech free flow version made of brass

BODY MATERIAL Brass

(1) PROTECTION CAP White Zinc-plated Steel

DESCRIPTION

The breather plug is designed to maintain at atmospheric pressure a unit even when it is under sudden changes in ambient temperature. This model is not filtered and permits a free flow of air. The cap protects from foreign bodies which may enter into the mechanical equipment and may cause damages.



Article	d	i[mm]	D[mm]	s[mm]	l[mm]	weight[g]
130100165	G1/4	7	18	15	20,5	19
130100166	G 3/8	7	22	19	22,5	29
130100167	G 1/2	9	26	22	26	53