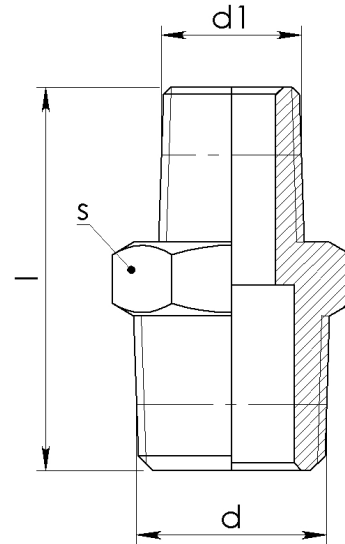


## Conical reduction MM INOX steel

BODY MATERIAL Stainless steel



Article	d	d1	s[mm]	l[mm]	weight[g]
510100085	R 1/4	R 1/8	18	34	29
510100086	R 3/8	R 1/8	21	35	43
510100087	R 3/8	R 1/4	21	34	42
510100088	R 1/2	R 1/4	26	34	53
510100089	R 1/2	R 3/8	26	41	63
510100090	R 3/4	R 1/4	30	37	70
510100091	R 3/4	R 3/8	30	37	75
510100092	R 3/4	R 1/2	30	45	105
510100093	R 1	R 1/2	35	43	115
510100094	R 1	R 3/4	37	50	146