

Leveltech made of brass with plastic window

BODY MATERIAL Brass

(1) CONTRAST SCREEN Aluminium alloy

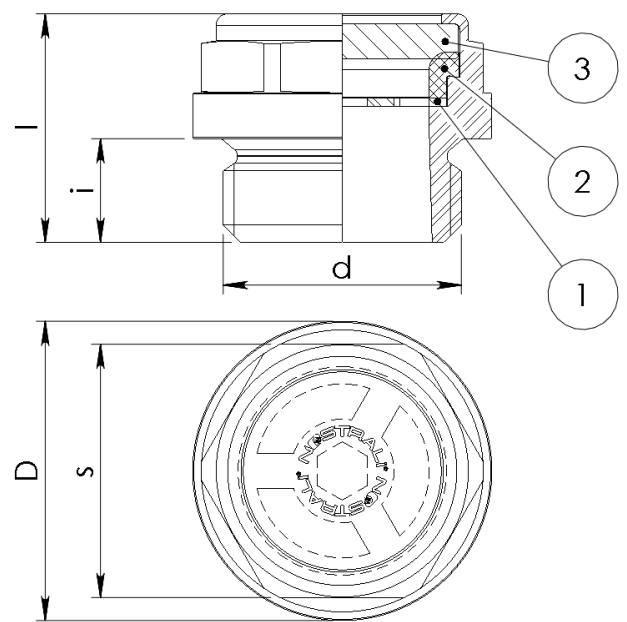
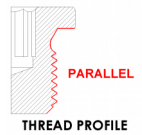
(2) GASKET NBR

(3) WINDOW Grilamid (PA)

RANGE TEMPERATURE -10 +80 [°C] ; +14 +194 [F]

DESCRIPTION

The new leveltech presents two new features: a reduced hexagon key and a conical inner profile which avoids stagnation of the oil, and facilitate the oil level reading. The window is made of transparent polyamide based technopolymer, developed to resist to many industrial oils. This product can be used on gearboxes, heating systems pumps and turbines.



Article	d	i[mm]	D[mm]	s[mm]	l[mm]	p max[bar]	Cs max [Nm]	weight[g]
140150110	G1/4	7	18	15	16,5-	5	14	11
140150111	G 3/8	7	22	19	17	5	19	17
140150112	G 1/2	9	26	22	20	5	27	28,5
140150113	G 3/4	9	32	27	20	5	43	40
140150114	G 1	11	39	32	24	5	69	72
140150115	G 1 1/4	11	49	41	25	5	125	100